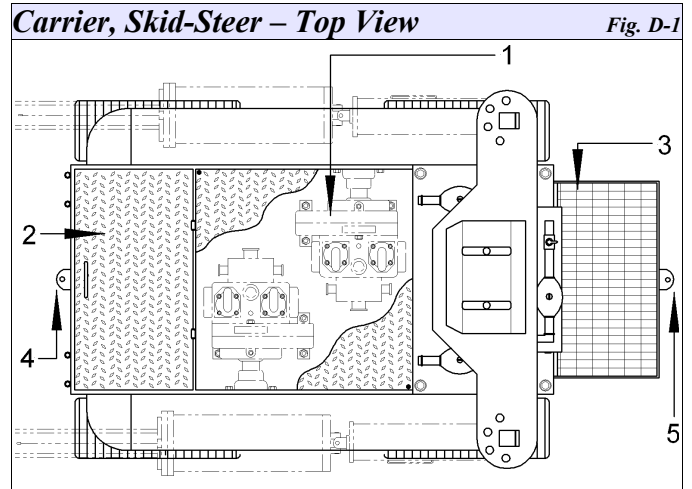
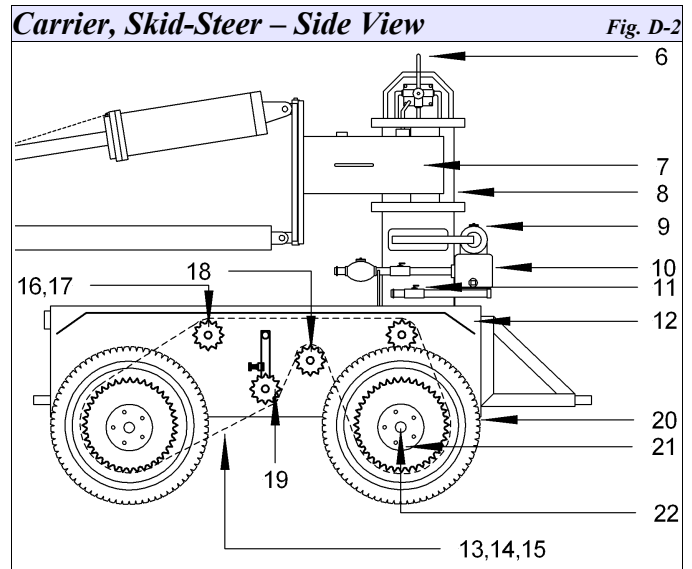


Parts List

| Carrier, Skid-Steer – Top View | | | |
|---------------------------------------|----------|--------------------------|-----------------|
| | | | <i>Fig. D-1</i> |
| No. | Part No. | Description | Qty |
| 1 | J-5160 | Air Motor | 2 |
| 2 | J-7804 | Main Frame Hatch | 1 |
| 3 | J-7194 | Operator's Platform | 1 |
| 4 | J-5170 | Tow Eye, Front | 1 |
| 5 | J-5180 | Tow Eye, Rear (Optional) | 1 |



| Carrier, Skid-Steer – Side View | | | |
|--|----------|-----------------------------|-----------------|
| | | | <i>Fig. D-2</i> |
| No. | Part No. | Description | Qty |
| 6 | J 3/4-4 | Tramming Valves | 2 |
| 7 | J-8241 | Boom Mount – Hinge Weldment | 2 |
| 8 | J-8240 | Turret Pedestal Weldment | 1 |
| 9 | 1007695 | Lubricator | 3 |
| 10 | J-5190 | Air Header | 1 |
| 11 | J-5200 | Valve | 4 |
| 12 | J-1000 | Main Frame Weldment | 1 |
| 13 | Y-8040 | Drive Chain Assembly | 2 |
| 14 | Y-8040-1 | Master Link | 2 |
| 15 | Y-8040-2 | Half Link | 2 |
| 16 | J-7844 | Idler Sprocket c/w Bushing | 4 |
| 17 | J-7900 | Idler Shaft | 4 |
| 18 | J-5280 | Drive Sprocket Assembly | 2 |
| 19 | J-5220 | Tensioner Assembly | 2 |
| 20 | JJ800X16 | Tire & Rim Assembly | 4 |
| 21 | 201012 | Hub Ass'y | 4 |
| 21 | J-5230 | Inner Spacer (5/16") | 4 |
| 21 | J-5240 | Outer Spacer (3/16") | 4 |
| 21 | J-5250 | Sprocket Cap / Axle Lock | 4 |
| 21 | 342003 | Lynch Pin | 4 |
| 21 | J-5350 | Nylon Axle Bushing | 4 |
| 22 | J-5260 | Axle | 2 |



| Drive Sprocket Assembly (J-5280) | | | |
|---|----------|---------------------------|-----------------|
| | | | <i>Fig. D-3</i> |
| No. | Part No. | Description | Qty |
| 23 | J-5270 | Lock Collar | 2 |
| 24 | J-212-39 | Flange Bearing | 2 |
| 25 | J-7824 | Drive Gear Adapter Shaft | 2 |
| 26 | J-7724 | Adapter Shaft Spacer | 2 |
| 27 | J-8202 | Drive Sprocket, Slotted | 2 |
| 28 | J-7858 | Drive Sprocket Cap, Keyed | 2 |

